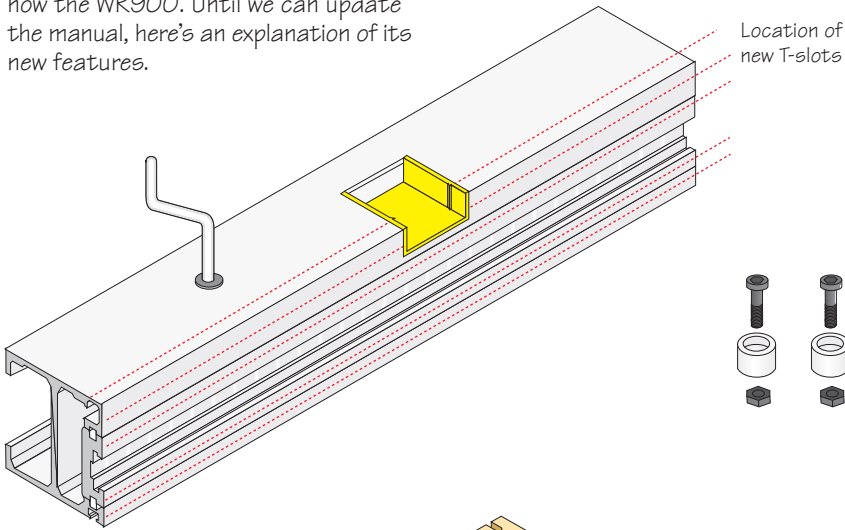


What's New On The WR900?

The WoodRat has changed. The WR5 is now the WR900. Until we can update the manual, here's an explanation of its new features.

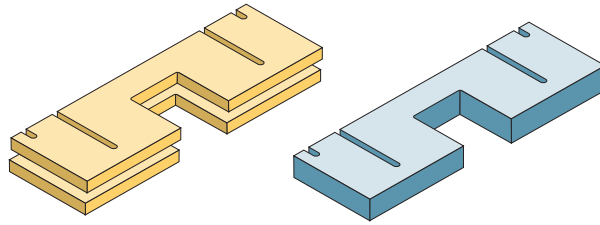
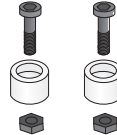


New Channel

Your new WR900 Channel differs from that shown in the manual. It now has several more T-slots. These can be used to attach jigs or stops specific to your own special projects.

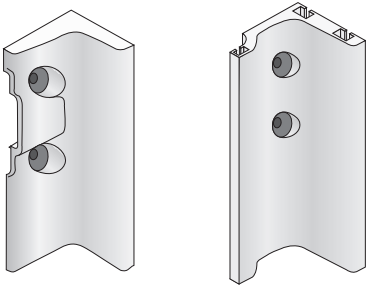
Extra Stops

These small aluminium stops can be placed on the top, bottom or face of the channel using the T-slots.



Raising Plates

The Rat now uses only one raising plate. It's the same thickness as the previous two plates. It's made from HDF, an improvement on MDF.

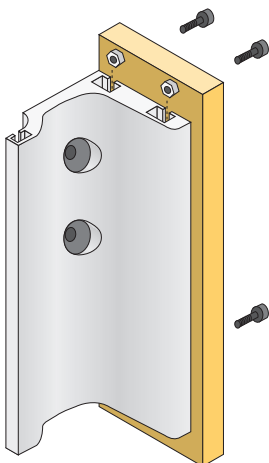


Aluminium Fences

The Fences are now made from extruded aluminium. These are an upgrade from the previous nylon fences. They also have T-slots to attach various jigs and accessories, such as the new Mitre Box.

Silicone

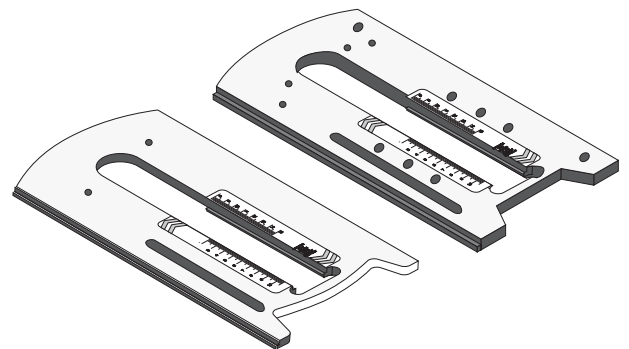
We no longer supply silicone lubricant. We instead recommend any good wax polish.



Fence Face

The face attaches to the aluminium fence using the M4x10 hex screws supplied. Before you tighten them fully, pull the fence towards you with your fingers and push the wooden face away. Then tighten. This will eliminate play in the sliding bar.

Now you can adhere sandpaper for a firmer grip on the workpiece. You can also raise the face into the cutting zone if needed.



Router Plate

The Router Plate now features several additional tapped holes. These are designed to be compatible with forthcoming accessories.